

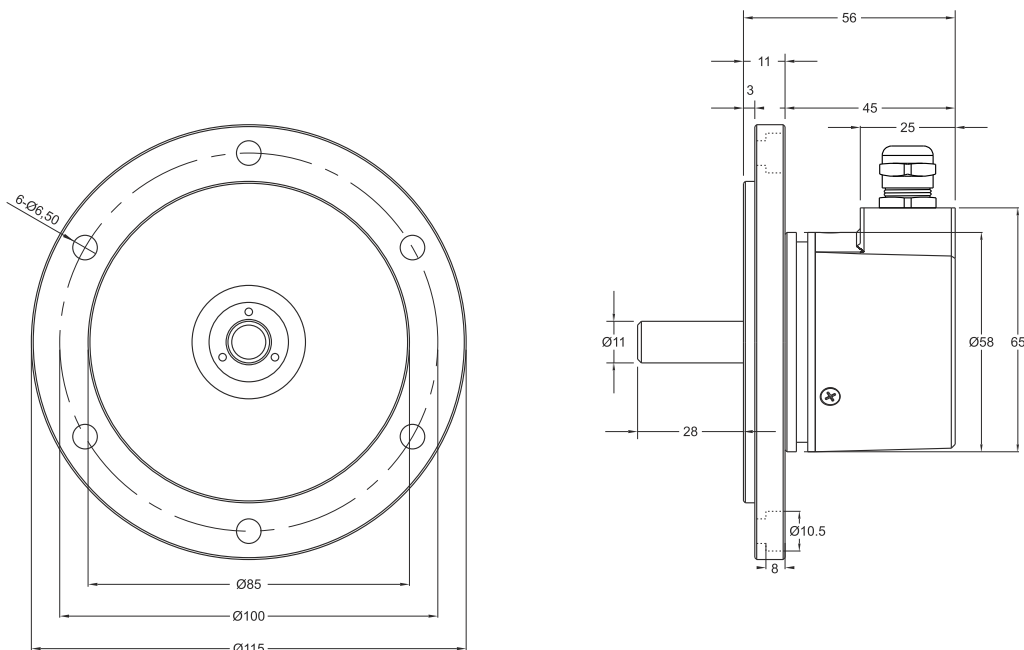
## Optic Rotary Incremental Encoder

- 58 mm case diameter
- 100 - 200 - 360 - 400 - 500 - 600- 720 - 1000 - 1024  
1800 - 2000 - 2048 - 2500 - 3600 - 4000 - 4096 - 5000 ppr.
- Push-Pull, TTL Linedriver and HTL Linedriver outputs
- Shaft diameter 11 mm
- 3500 rpm max.



### Technical Specifications

Resolution	100 to 5000 ppr.
Output Channels	A,B,Z or A,Ā, B,Ā, Z, Z̄
Output Type	Push-Pull, TTL Linedriver, HTL Linedriver
Supply Voltage	5V DC or 8-24V DC or 5-24V DC
Power Consumption (without load)	< 40 mA (24 VDC)
Cable	2.5m (Standard) 5 Wire + Shield for Pushpull 2.5m (Standard) 8 Wire + Shield for Linedriver
Max. Permissible Shaft Loading	Radial 60 N Axial 40 N
Max. Speed	3.500 rpm
Shaft Diameter	Ø11 mm
Shaft Material	Stainless Steel
Case Diameter	Ø58 mm
Case Material	Aluminium and Painted Steel
IP Degree	IP 54
Operating Temperature	-20°C ... +80°C
Storage Temperature	-30°C ... +90°C



Model	Case Diameter	Case Type	Shaft Diameter	Output Type	Resolution	Output Channels	Supply Voltage	Connector / Cable	Cable Output
(example) PRI	58	RK	R11	HLD	1024	Z	V2	2M5	R
PRI	58mm	RK : Tacho flange	R11 : 11mm	LTP : Push-Pull LD : TTL Linedriver HLD : HTL Linedriver	100 ... 5000 ppr.	Z : A, B, Z B : A, B	V1 : 5V DC V2 : 8-24V DC V3 : 5-24V DC	2M5 : 2.5 meter cable 5M : 5 meter cable 8M : 8 meter cable 10M : 10 meter cable C12 : 12 pin connector	R : Radial