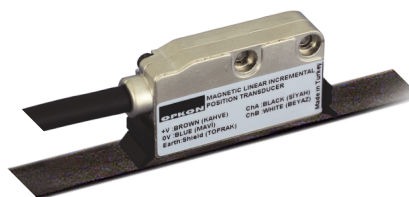


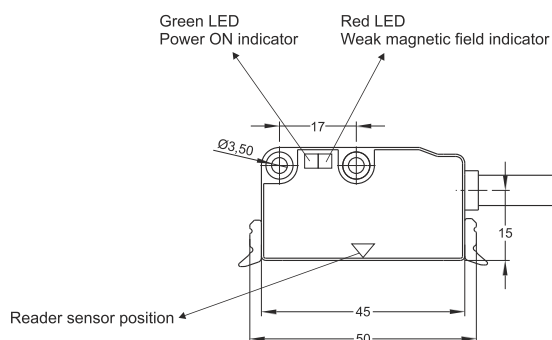
## Magnetic Linear Incremental Encoder

- 2,5 / 5 / 10 / 12,5 / 20 / 25  $\mu\text{m}$  resolution (other options on request)
- Magnetic contactless measurement
- Push-pull, TTL Linedriver or HTL Linedriver output options
- Single or Continues reference (optional)
- Weak magnetic field and power on LEDs
- IP 66 protection



### Technical specifications

Type of measurement	Magnetic incremental non-contact
Resolution	2,5 / 5 / 10 / 12,5 / 20 / 25 $\mu\text{m}$ resolution (4x mode)
Accuracy	$\pm 15 \mu\text{m}$
Output type	Push-Pull, TTL Linedriver, HTL Linedriver
Supply voltage	8-24VDC (Standard), 5VDC (Optional)
Electrical connections	2,5m cable (Standard), 1m cable with DB9 connector
Case material	Anodized aluminium
Max. speed	3 m/s with LED indicator 15 m/s without LED indicator as optional
IP degree	IP 66
Operating temperature	-20°C ... +80°C
Storage temperature	-30°C ... +90°C



#### Linedriver Cable Output

Ch A : Black  
Ch A inv. : Yellow  
Ch B : White  
Ch B inv. : Green  
+V : Brown  
0V : Blue  
GND : Shield

#### Push-Pull Cable Output

Ch A : Black  
Ch B : White  
+V : Brown  
0V : Blue  
GND : Shield

Model	Resolution	Output type	Pole pitch	Output channels	Supply voltage	Connector / Cable
(example) MLI	T20	LTP	5	B	V2	1M
MLI	T10 : 2,5 $\mu\text{m}$ T20 : 5 $\mu\text{m}$ T40 : 10 $\mu\text{m}$ T50 : 12,5 $\mu\text{m}$ T80 : 20 $\mu\text{m}$ T100: 25 $\mu\text{m}$	LTP : Push-pull TT : TTL Linedriver HLD : High Linedriver	5 : 5mm pole pitch	B : A, B 5Z : A, B, Z (Continues reference)	V1 : 5V DC V2 : 8-24V DC	1M : 1 meter cable (standard) 2M5 : 2,5 meter cable 9C : 0,5 meter cable with 9 pin connector