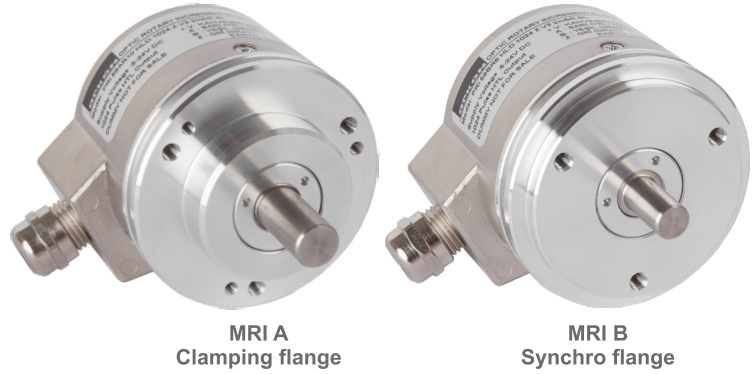


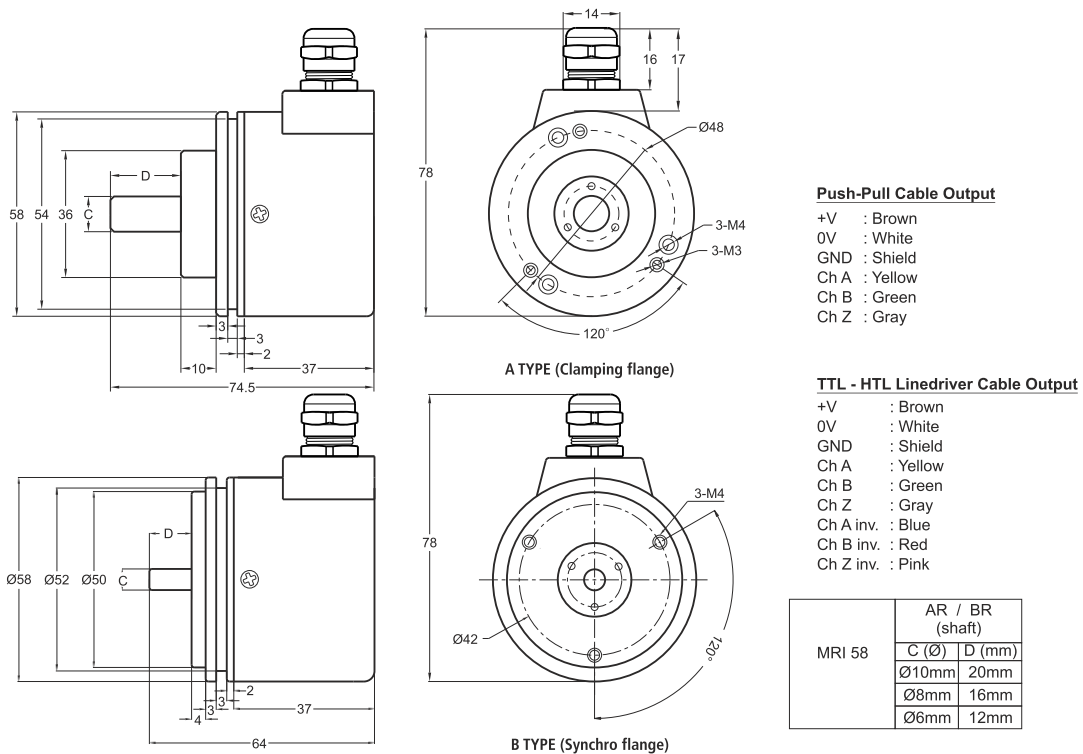
Magnetic Incremental Encoder

- 58 mm case diameter
- Magnetic incremental rotary encoder
- 2 - 4 - 8 - 16 - 25 - 32 - 40 - 50 - 64 - 80 - 100 - 125, 128 - 160 - 200 - 250 - 256 - 400 - 500 - 512 ppr.
- Very useful for outdoor applications



Technical Specifications

| | |
|---------------------------------------|--|
| Type of Measurement | Magnetic incremental non-contact |
| Resolution | 2 ... 512 ppr. |
| Output Channels | A,B,Z or A,Ā, B,Ī, Z,Ż |
| Output Type | Pushpull, TTL Linedriver, HTL Linedriver |
| Supply Voltage | 5V DC, 8-24V DC, 5-24V DC |
| Power Consumption | < 40 mA (24 VDC) |
| Electrical Connections | 2.5m (Standard) 5 Wire + Shield for Pushpull 2.5m (Standard) 8 Wire + Shield for Linedriver |
| Max. Permissible Shaft Loading Radial | 60 N |
| Axial | 40 N |
| Max. Speed | 3.500 rpm |
| Shaft Diameter | Ø6 - 8 - 10 mm |
| Shaft Material | Stainless Steel |
| Case Diameter | Ø58 mm |
| Case Material | Aluminium / Steel |
| IP Degree | IP 54 |
| Operating Temperature | -20°C ... +80°C |
| Storage Temperature | -30°C ... +90°C |



| Model | Case Diameter | Case Type | Shaft Diameter | Output | Resolution | Output Channels | Supply Voltage | Connector / Cable | Cable Output |
|---------------|---------------|---|------------------------------------|--|----------------|--------------------------------|-----------------------------|---|-------------------------|
| (example) MRI | 58 | A | R8 | HLD | 512 | ZZ | V2 | 2M5 | R |
| MRI | 58mm | A : Clamping flange AW : Water proof B : Synchro flange BW : Water proof | R6 : 6mm R8 : 8mm R10 : 10mm | LTP : Push-Pull LD : TTL Linedriver HLD : HTL Linedriver | 2 ... 512 ppr. | Z : A, B, Z ZZ : AA, BB, ZZ | V1 : 5V DC V2 : 8-24V DC | 2M5 : 2,5 meter cable 5M : 5 meter cable 8M : 8 meter cable 10M : 10 meter cable | R : Radial A : Axial |