

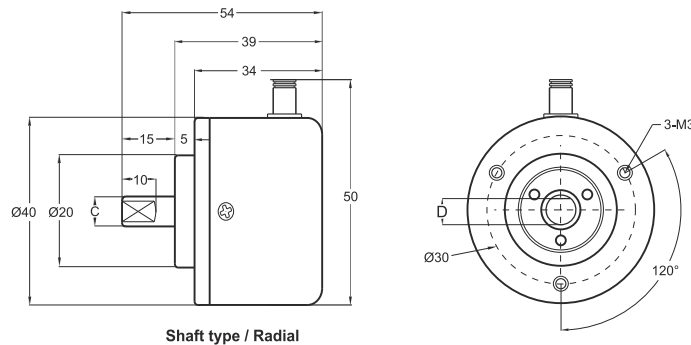
## Optic Rotary Incremental Encoder

- 40 mm case diameter
- 100 - 200 - 360 - 500 - 600 - 1000 - 1024 ppr.
- Push-Pull, TTL Linedriver and HTL Linedriver outputs
- Shaft diameter 4 - 6 mm
- 3500 rpm max.



### Technical Specifications

Resolution	100 to 1024 ppr.
Output Channels	A,B,Z or A,Ā, B,Ā, Z,Z̄
Output Type	Push-Pull, TTL Linedriver, HTL Linedriver
Supply Voltage	5V DC or 8-24V DC or 5-24V DC
Power Consumption (without load)	< 40 mA (24 VDC)
Cable	2.5m (Standard) 5 Wire + Shield for Pushpull 2.5m (Standard) 8 Wire + Shield for Linedriver
Max. Permissible Shaft Loading Radial	80 N
Max. Speed	3.500 rpm
Shaft Diameter	Ø4 - 6 mm
Shaft Material	Stainless Steel
Case Diameter	Ø40 mm
Case Material	Aluminium and Painted Steel
IP Degree	IP 54
Operating Temperature	-20°C ... +80°C
Storage Temperature	-30°C ... +90°C



Shaft type / Radial

PRI 40	R (shaft)	
	C	D
	Ø4mm	3.30mm
	Ø6mm	5.30mm

#### Push-Pull Cable Output

+V : Brown  
0V : White  
GND : Shield  
Ch A : Yellow  
Ch B : Green  
Ch Z : Gray

#### TTL - HTL Linedriver Cable Output

+V : Brown  
0V : White  
GND : Shield  
Ch A : Yellow  
Ch B : Green  
Ch Z : Gray  
Ch A inv.: Blue  
Ch B inv.: Red  
Ch Z inv.: Pink

Model	Case Diameter	Case Type	Shaft Diameter	Output Type	Resolution	Output Channels	Supply Voltage	Connector / Cable	Cable Output
(example) PRI	40	A	R6	HLD	1024	Z	V2	2M5	R
PRI	40mm	A : Clamping flange	R4 : 4mm R6 : 6mm	LTP : Push-Pull LD : TTL Linedriver HLD : HTL Linedriver	100 ... 1024 ppr.	Z : A, B, Z B : A, B ZZ : Ā, B̄, Z̄	V1 : 5V DC V2 : 8-24V DC V3 : 5-24V DC	2M5 : 2,5 meter cable 5M : 5 meter cable	R : Radial